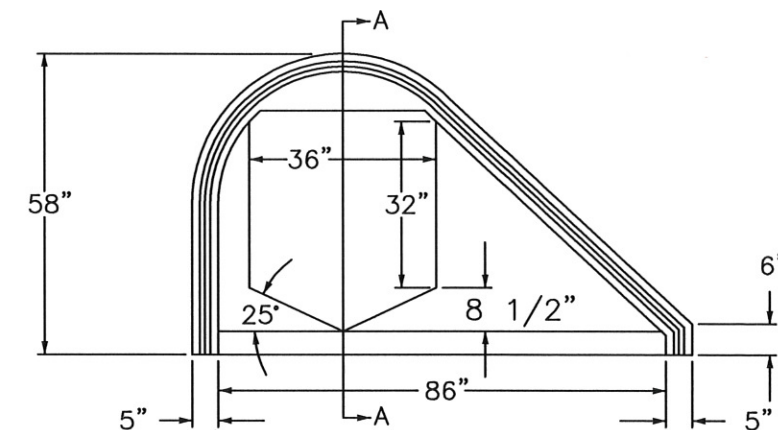
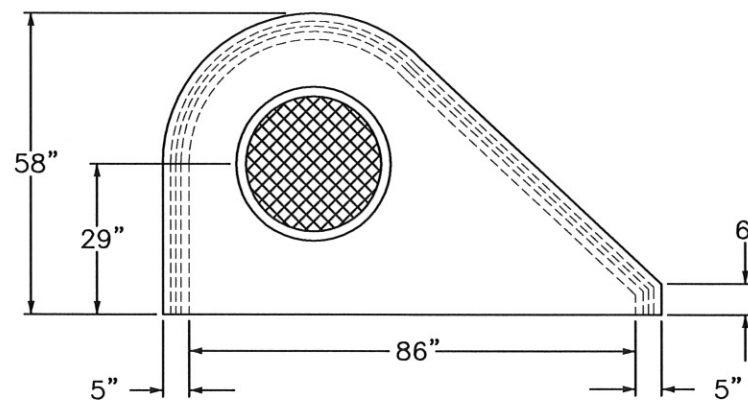
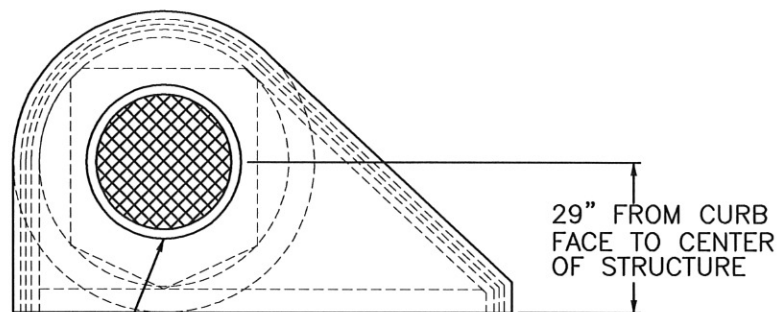
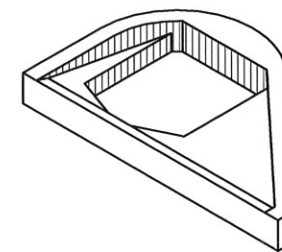
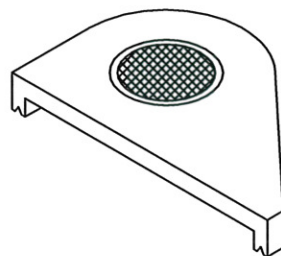
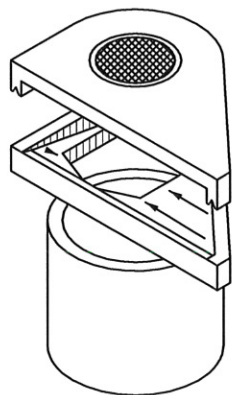
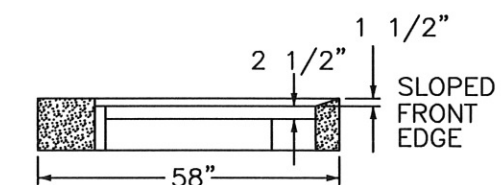
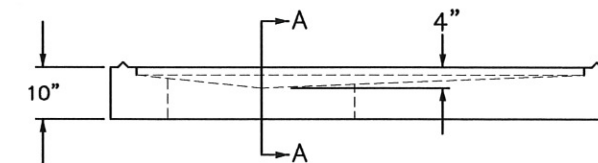
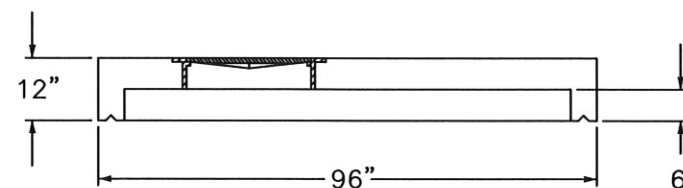
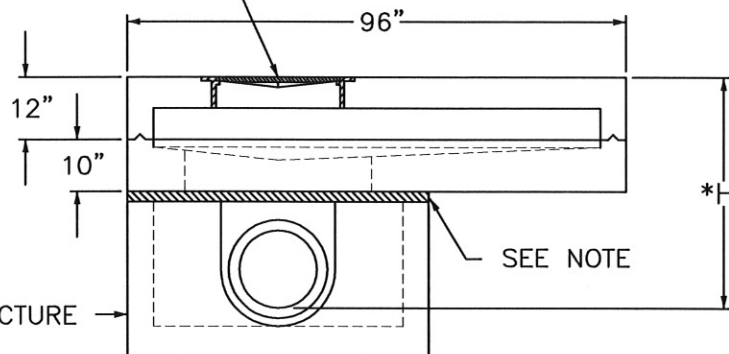


E:\Standard Drawings (AutoCAD)\7_Drainage (SD-600)\SD-610.02.dwg



CHATTANOOGA LOGO JBS
1045 OR HAMILTON COUNTY
STANDARD CAST-IN

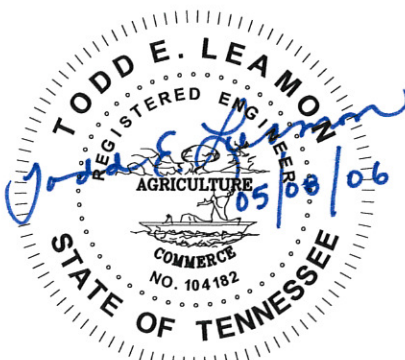
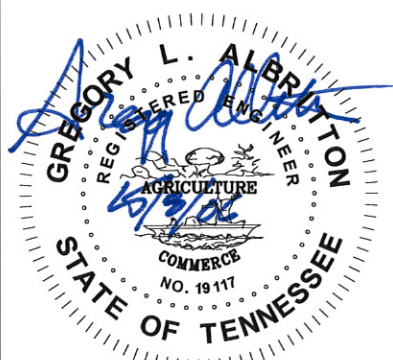


SECTION A-A

NOTE

4" OF ADJUSTMENT IF ROADWAY SLOPE IS EQUAL TO OR LESS THAN 5 PERCENT. IF ROADWAY SLOPE EXCEEDS 5 PERCENT, THEN ADDITIONAL ADJUSTMENT MUST BE USED UP TO A MAXIMUM OF 8".

*H: SEE STANDARD
SD-610.04



NO.	REVISION	DATE
1	CURB INLET-RIGHT MOVED TO THIS SHEET AND UPDATED	3/27/06
0	INITIAL ISSUE	12/10/99

CITY OF CHATTANOOGA AND HAMILTON COUNTY
CURB INLET-RIGHT (PRECAST CONCRETE)

DATE OF ORIGINAL ISSUE
DECEMBER 10, 1999

STANDARD NUMBER: **SD-610.02**