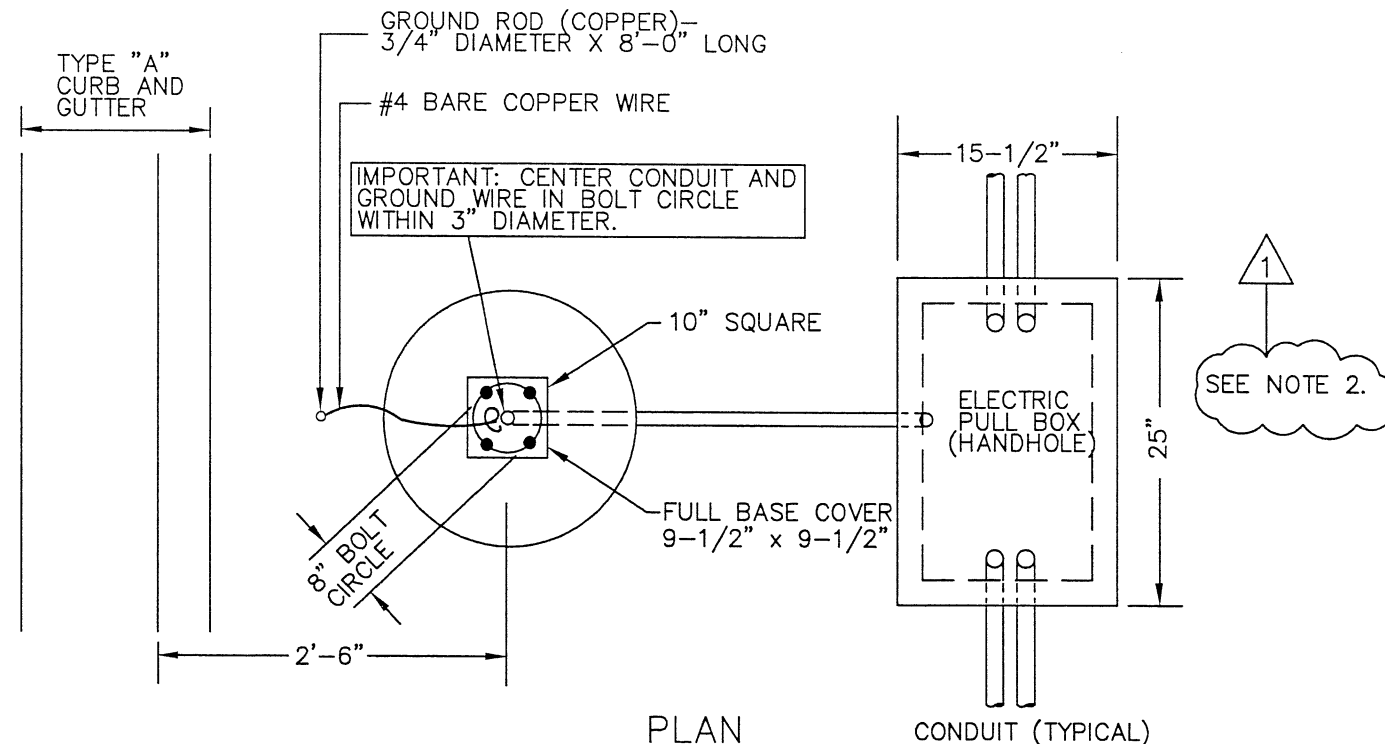
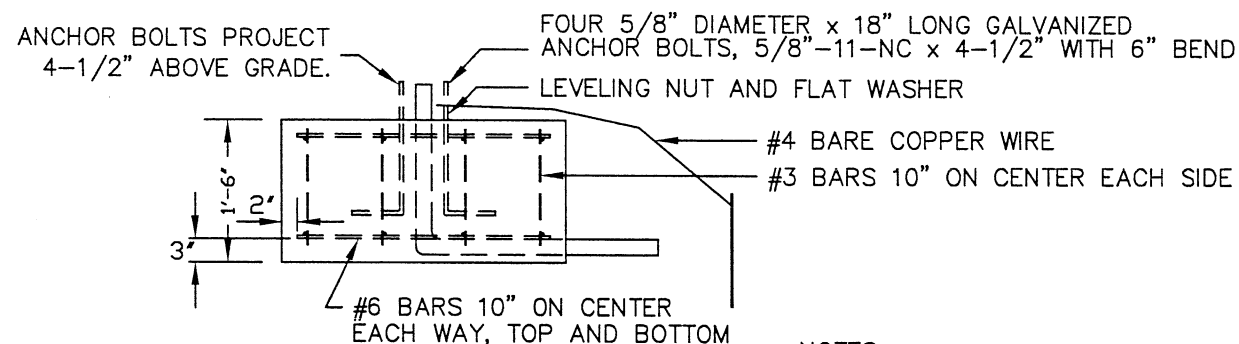


PLAN



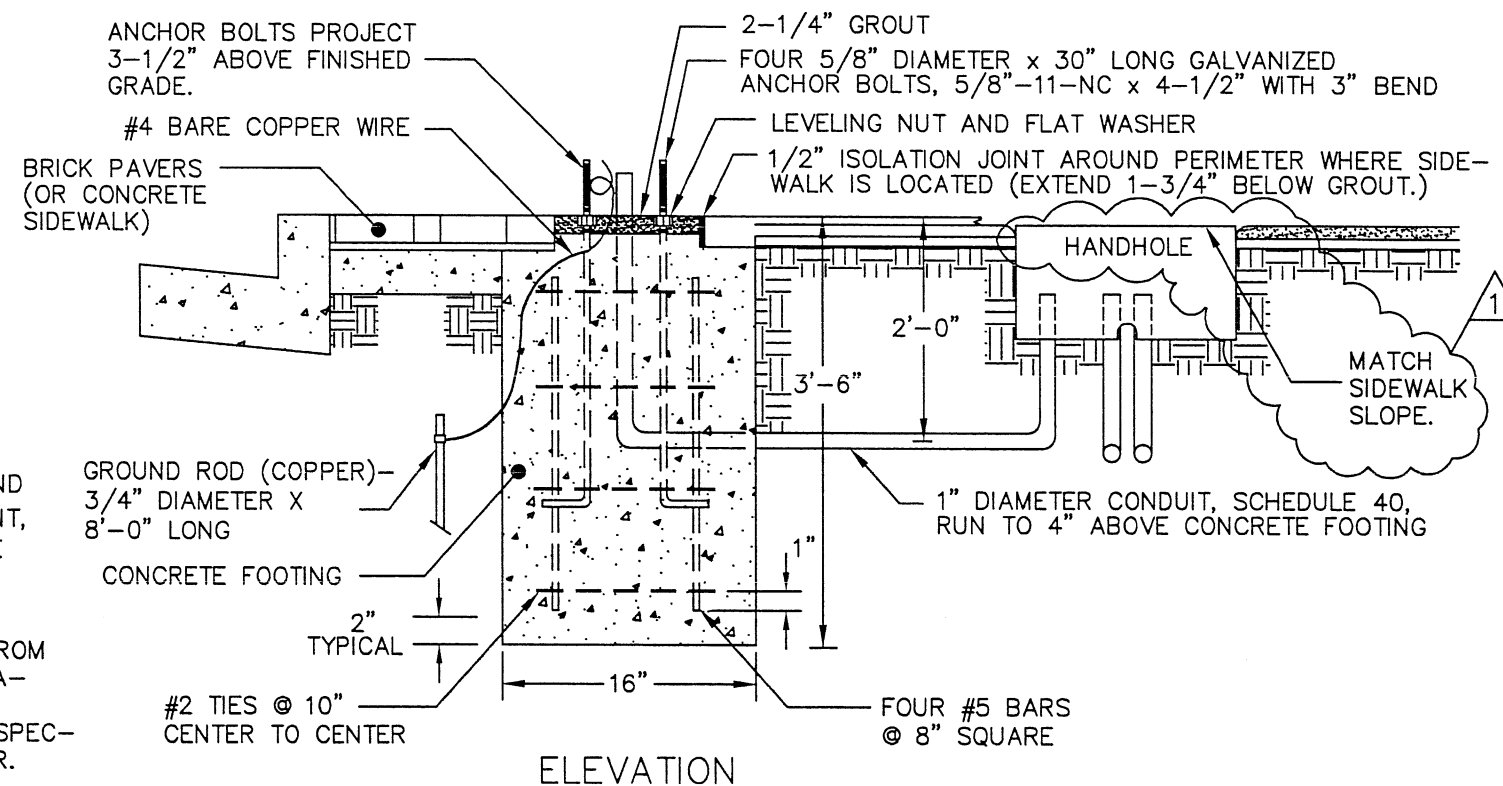
PLAN

CONDUIT (TYPICAL)



ELEVATION

SPREAD FOOTING



ELEVATION

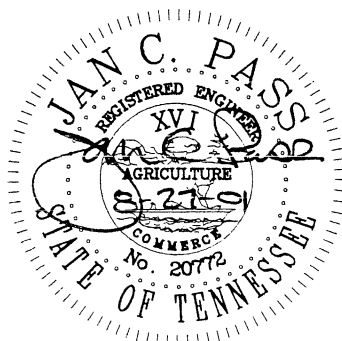
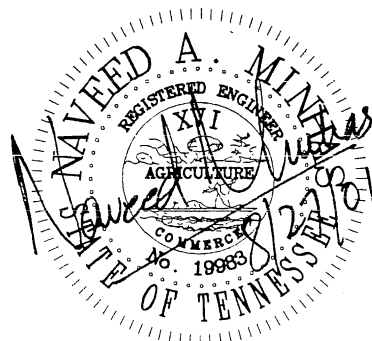
FOUNDATION

NOTES

1. SPREAD FOOTINGS ARE TO BE USED AS AN ALTERNATE WHEN UTILITY AND DRAINAGE STRUCTURES ARE PRESENT, SUBJECT TO THE APPROVAL OF THE GOVERNMENTAL ENGINEER.
2. ELECTRIC PULL BOXES (HANDHOLES) ARE TO BE A UNIFORM DISTANCE FROM THE BACK OF THE SIDEWALK. LOCATIONS SHALL BE DETERMINED BY ELECTRIC POWER BOARD (E.P.B.) INSPECTOR AND GOVERNMENTAL INSPECTOR.
3. CONDUIT TRENCHING PER E.P.B. APPROVED SITE PLAN DRAWING AND TRENCH SPECIFICATION OF 24" DEEP X 6" WIDE. BACKFILL TRENCH WITH 33-P* STONE.

*"33-P (PUG)" - 303.01, TYPE A, GRADING D ("33-P"), TENNESSEE D.O.T. SPECIFICATIONS

F:\STDWGS\Pedlight 12' Eureka\PEDLIGHT.dwg



NO.	REVISION	DATE
1	REVISIONS AS MARKED OR CLOUDED	8/24/01
0	INITIAL ISSUE	12/10/99

CITY OF CHATTANOOGA AND HAMILTON COUNTY	
FOUNDATION DETAILS (12' PEDESTRIAN LIGHT POLE)	
DATE OF ORIGINAL ISSUE DECEMBER 10, 1999	STANDARD NUMBER: SD-507.01