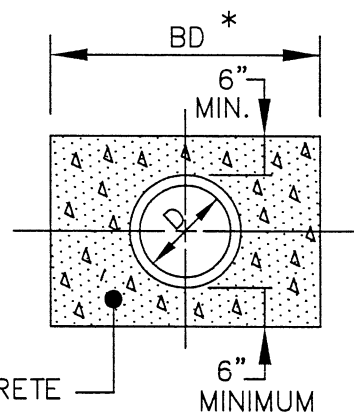
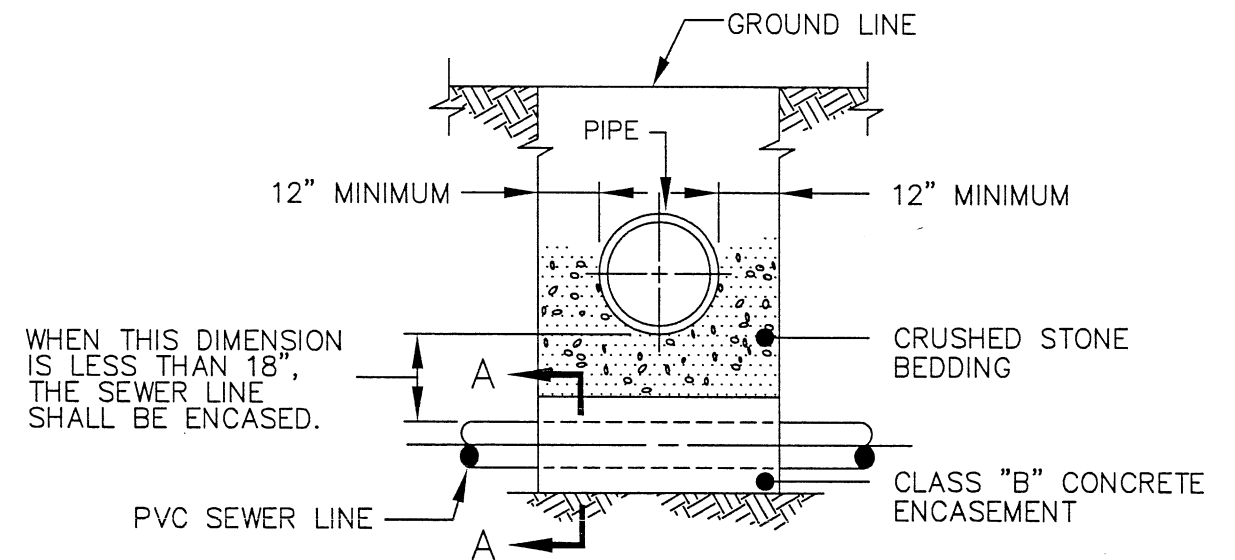


ELEVATION

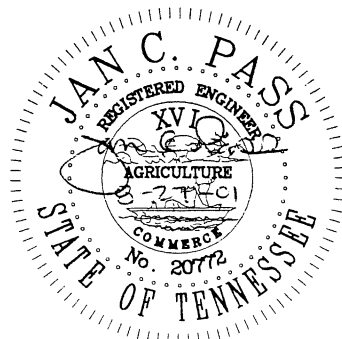
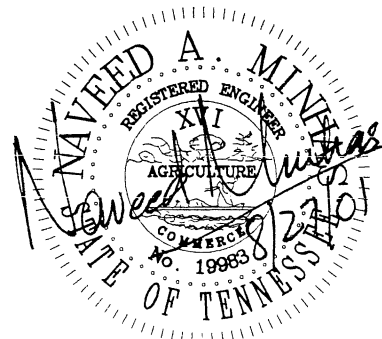


SECTION A-A

BD\* - SEE STANDARD  
SD-307.01.



**CONCRETE ENCASEMENT**



			CITY OF CHATTANOOGA AND HAMILTON COUNTY	
			TRENCH DETAILS (CONCRETE PROTECTION)	
1	DELETED TABLE	8/24/01	DATE OF ORIGINAL ISSUE	STANDARD NUMBER : SD-308.02
0	INITIAL ISSUE	12/10/99	DECEMBER 10, 1999	
NO.	REVISION	DATE		