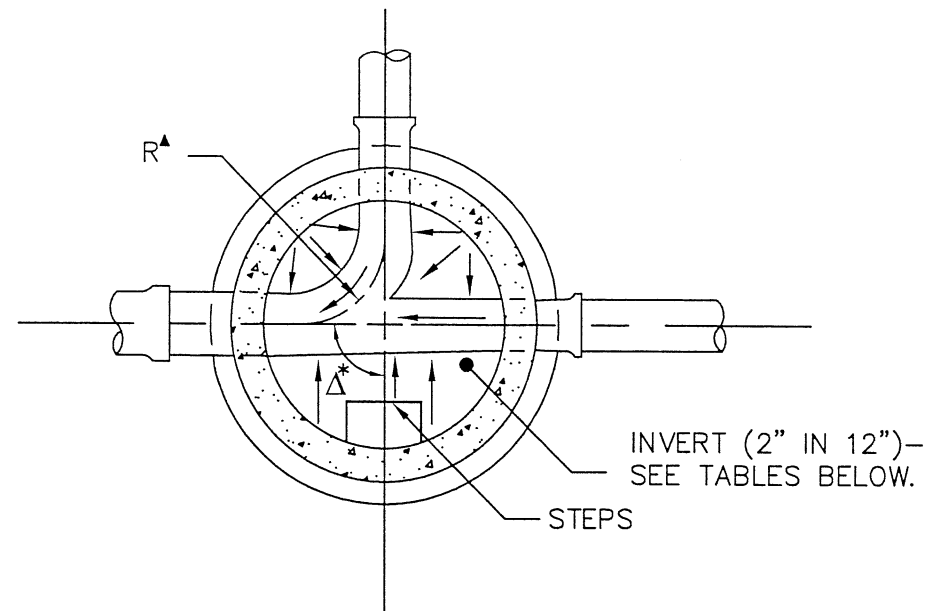


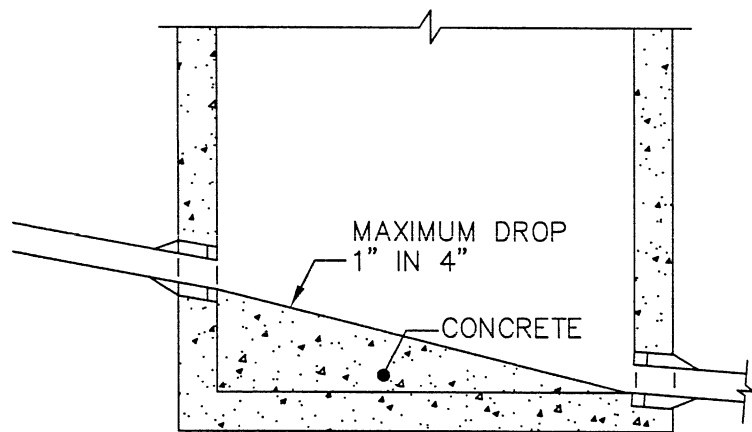
INVERT SECTION



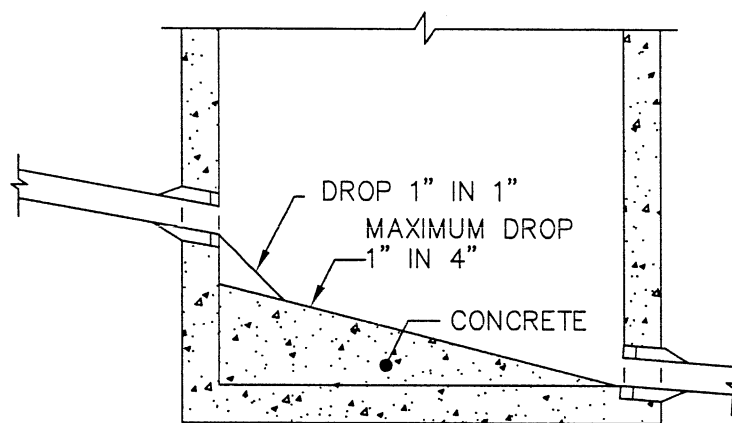
INVERT PLAN

NOTE

"H" AND "T" DIMENSIONS APPLY AT BOTH THE UPSTREAM AND THE DOWNSTREAM EDGES OF MANHOLE. SEE TABLE 1.



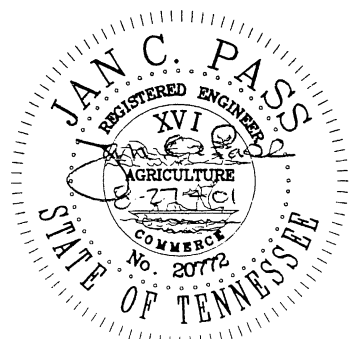
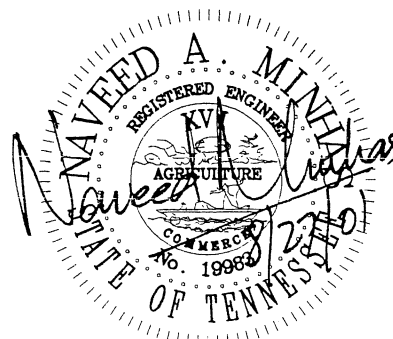
**INVERT DETAIL
(WITH DROP LESS THAN 12")**



**INVERT DETAIL
(WITH DROP OF
12" TO LESS THAN 24")**

"D"	"T"	"H"
INSIDE DIAM. PIPE	VERTICAL TANGENT	HEIGHT OF INVERT
8"	2 1/2"	6 1/2"
10"	3"	8"
12"	3 1/2"	9 1/2"
15"	4 1/2"	12"
18"	5 1/2"	14 1/2"
21"	6 1/2"	17"
24"	7 1/2"	19 1/2"
30"	9"	24"
36"	11"	29"

PIPE SIZE	Δ* ANGLE	BASE DIAM.	R [▲]
8" THRU 12"	0° TO 90°	4'	1'-6"
15"	0° TO 60°	4'	1'-10"
15"	60+ TO 90°	4'	1'-10"
18"	0° TO 60°	4'	2'-3"
18"	60+ TO 90°	4'	1'-10"
21"	0° TO 60°	4'	2'-7"
21"	60+ TO 90°	5'	2'-4"
24"	0° TO 45°	4'	3'-0"
24"	45+ TO 90°	5'	2'-3"
30"	0° TO 60°	5'	3'-9"
30"	60+ TO 90°	6'	2'-8"
36"	0° TO 30°	6'	4'-6"
LARGER THAN 36"	0° TO 90°	SEE PLANS	



NO.	REVISION	DATE
1	REVISIONS AS MARKED OR CLOUDED	8/24/01
0	INITIAL ISSUE	12/10/99

CITY OF CHATTANOOGA AND HAMILTON COUNTY

SANITARY/STORM MANHOLE DETAILS

DATE OF ORIGINAL ISSUE
DECEMBER 10, 1999

STANDARD NUMBER : **SD-301.01**